

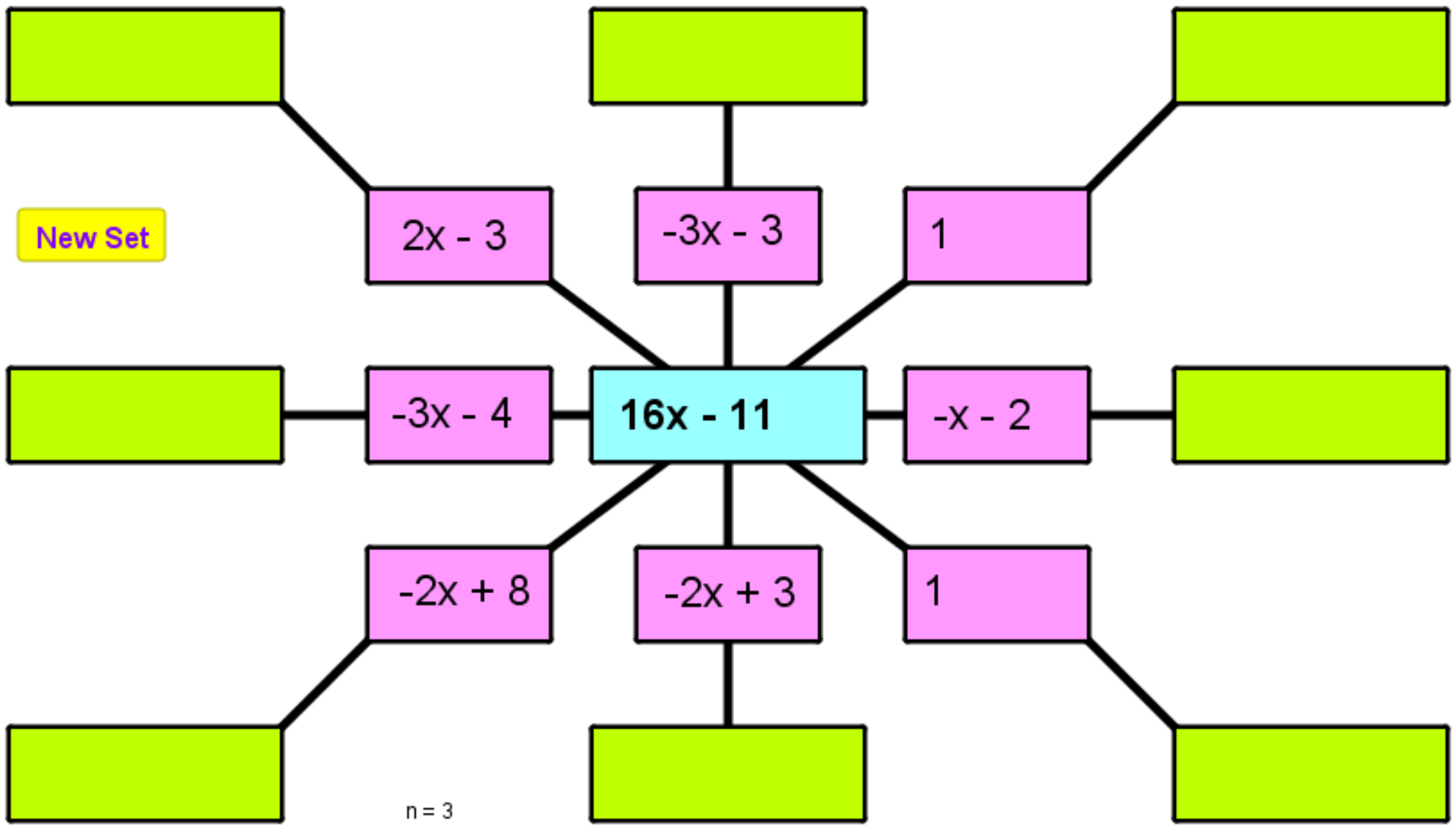
Expanding Bracket-Spiders

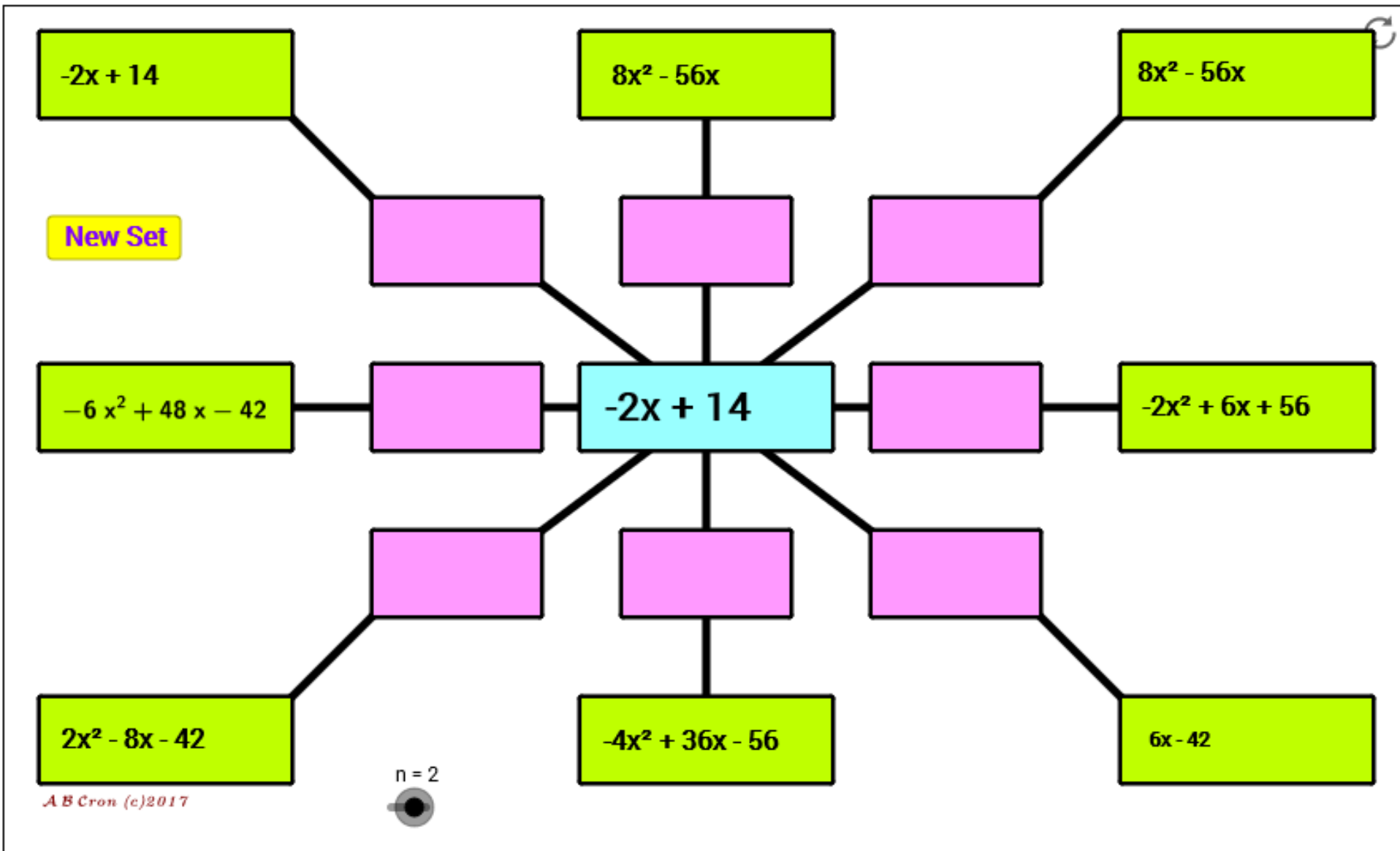
Fill in the blanks using multiplication or factoring.

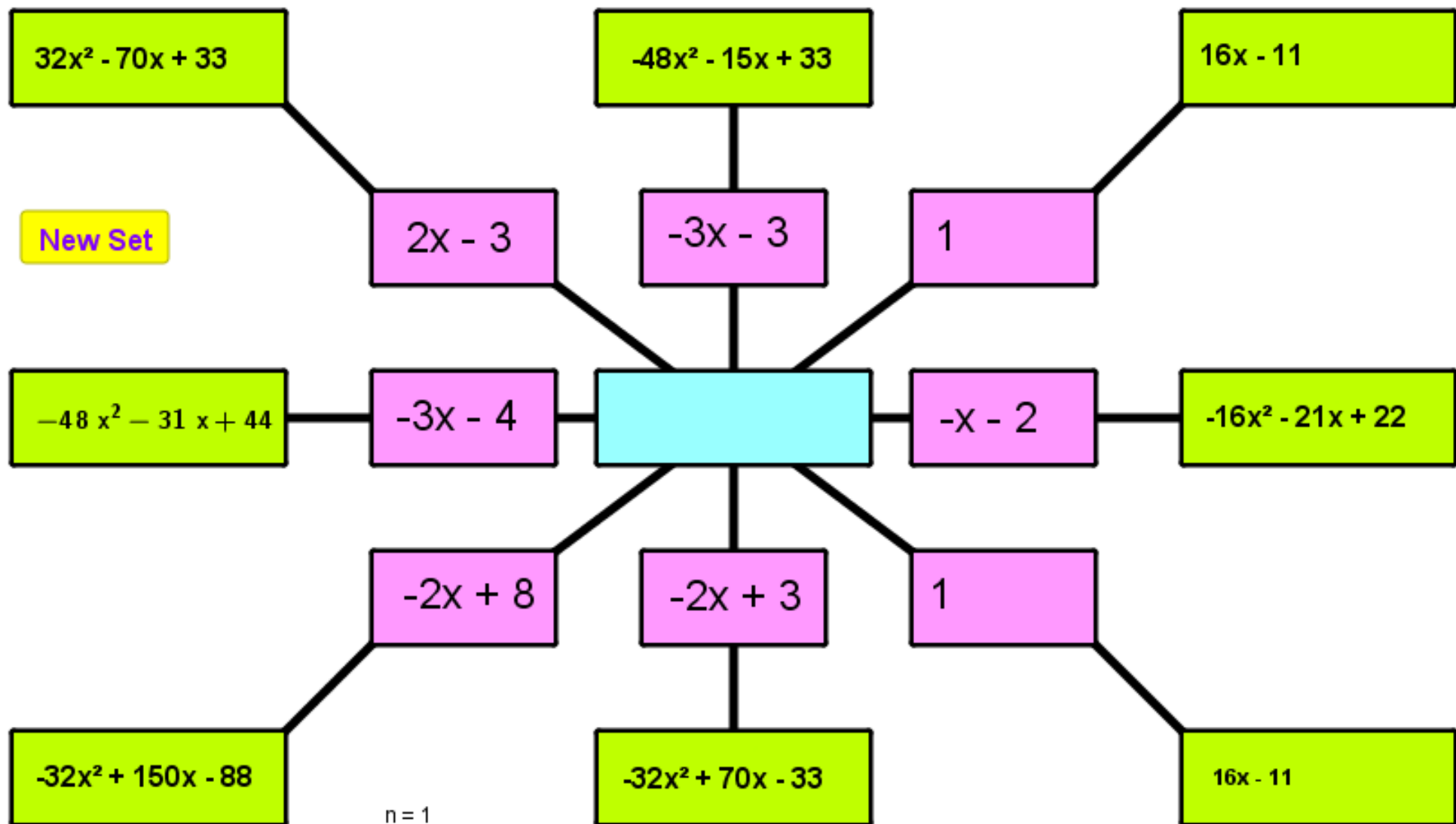
A B Cron

January 9, 2018

<https://www.geogebra.org/m/kdgFVj8q>

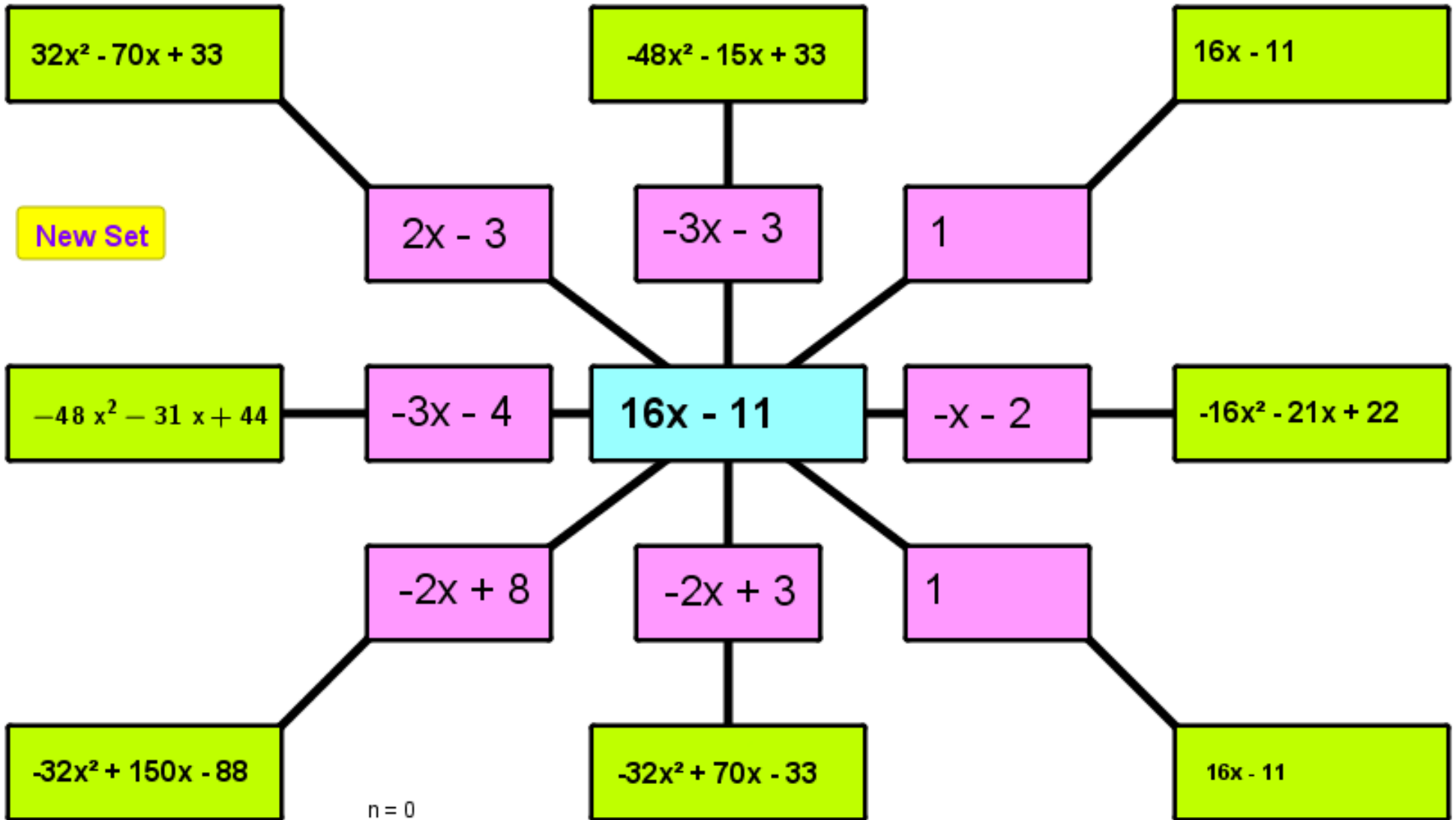






New Set

n = 1



n = 0